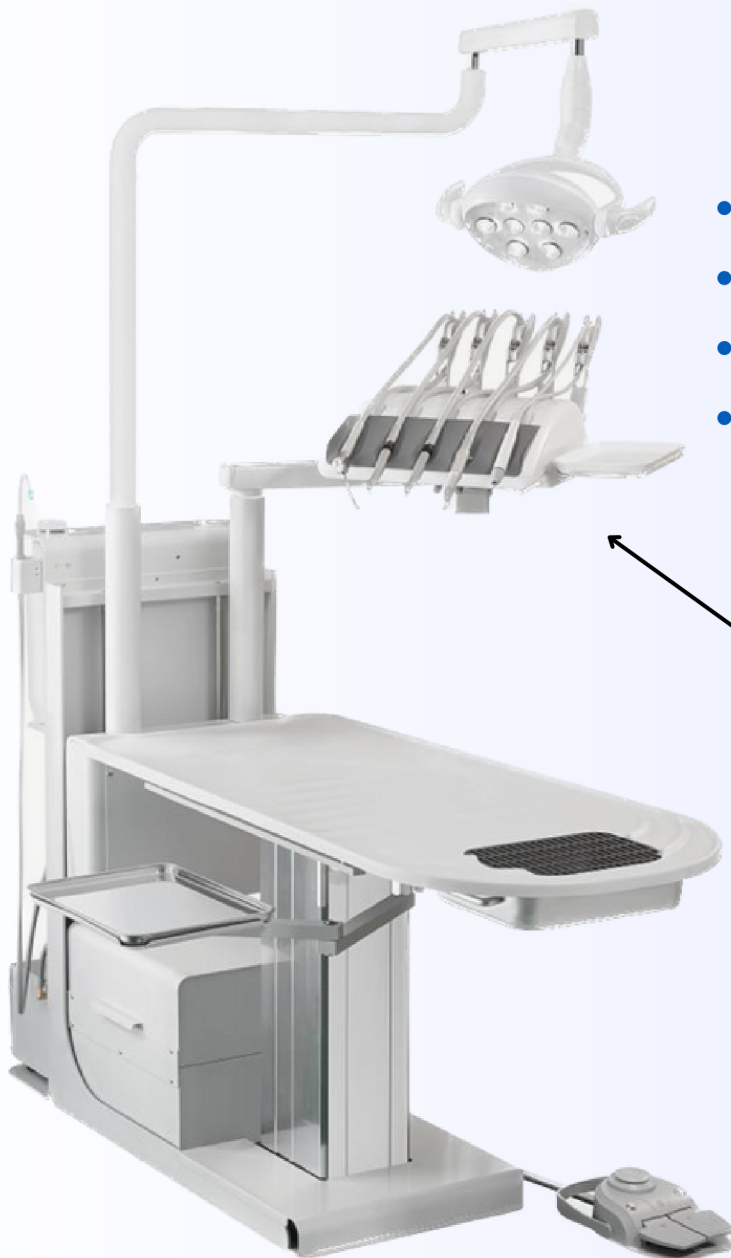


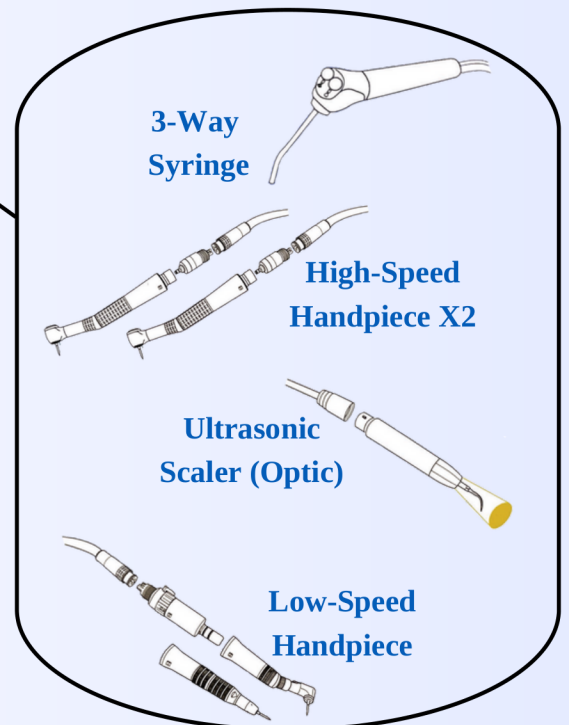
## DF Dolce Dental Table<sup>™</sup>

Call Today (908) 968-3553

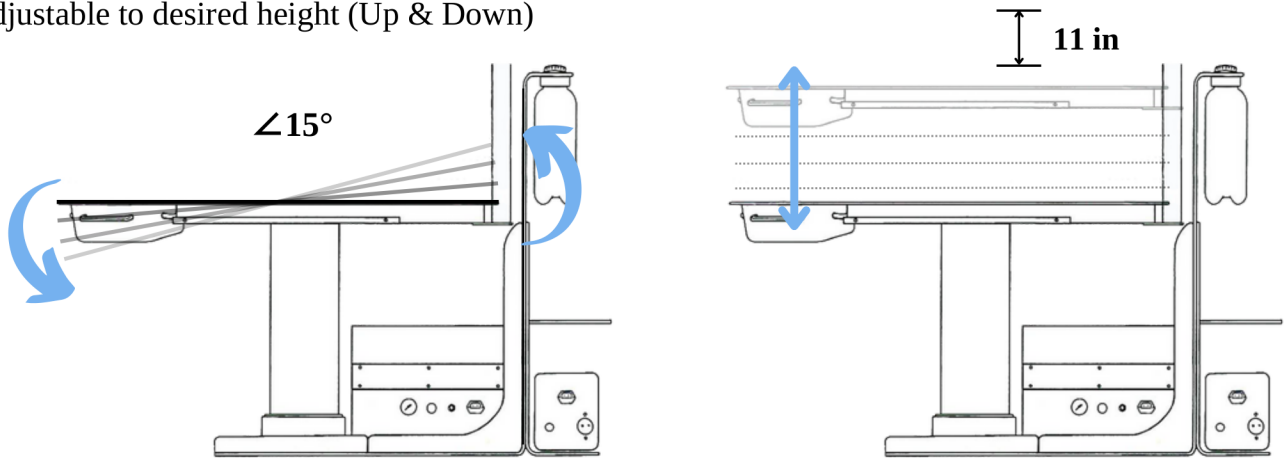
For more information, visit [www.dentalfocus.biz](http://www.dentalfocus.biz)



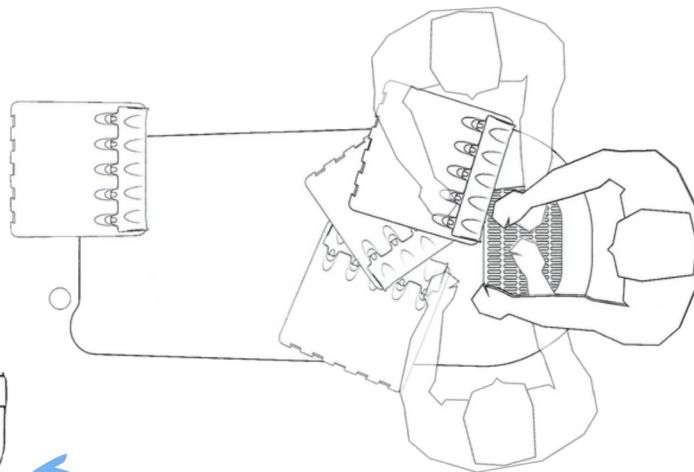
- Surgical LED Light
- Suction
- Oilless & Low- Noise Compressor
- Freely Moving Dental Unit



Tiltable to the desired angle  
Adjustable to desired height (Up & Down)

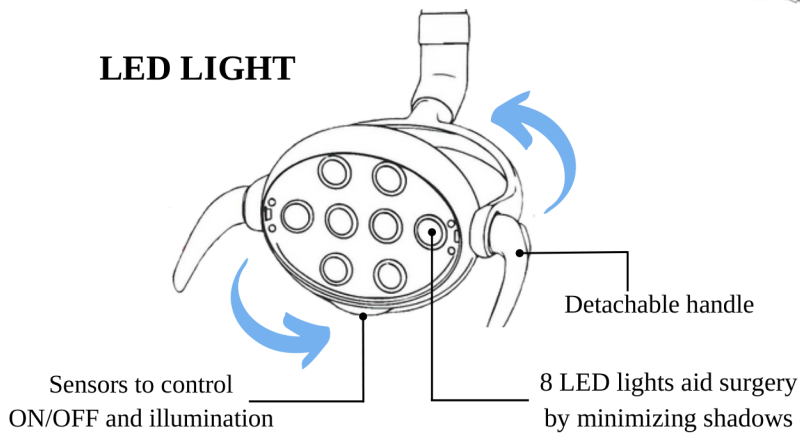


Easy, out of the way storage



Full range of motion, optimize space to alleviate fatigue

### LED LIGHT



**ON/OFF**

The brightness can be adjusted by placing your palm in front of the sensor

**Brightness Adjustment**

Moving your hand in front of the sensor allows you to control (turn on/off) the light

## Table Specifications

<b>Dimensions</b>	61 X 68.5 (Maximum 79.5) X 21.6 in
<b>Maximum Height</b>	39.37 in
<b>Minimum Height</b>	27.55 in
<b>Up &amp; Down Height</b>	Maximum 11 in
<b>Tilting Angle</b>	Maximum 15°
<b>Bottles</b>	Water 1.5L, Suction 1.5L, Sewage 4L
<b>Components</b>	LED Light, Dental Unit, Suction, Sink, Compressor, Motor