

DENTAL FOCUS X-Ray

- Unprecedented Reliability with **5 year warranty**
- Guaranteed long, trouble free use
- Less than one Warranty claim per thousand sold
- Zero-Drift Balance arm



FEATURES I INCLUDE

- Small focal spot for crisp, detailed image 4MM
- The high-frequency x-ray generator minimizes patient exposure to radiation
- Easy selection for kV, mA, patient type, tooth type, cone type, film speed and exposure time settings, and digital/film mode selection switch
- Improve safety with exposure time and estimated radiation output display
- Small, lightweight and ergonomically-contoured head facilities, easy positioning
- Convenient arm mounted holder for digital sensors
- Optional coiled wire switch for remote exposure activation available

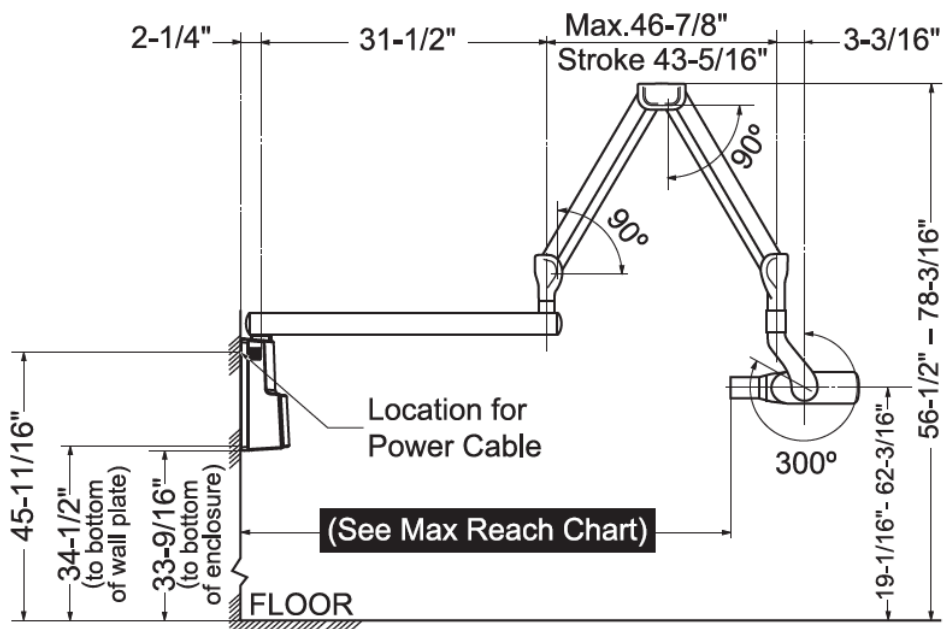


DENTAL FOCUS X-Ray

SPECIFICATIONS

Selectable kV:	60-70 kV
Focal Spot:	0.4 mm (IEC60336)
Voltage:	120 VAC
Rated Line Current:	10A at 70kV, 6 mA
Exposure Time:	0.01-2.0 Seconds
Minimum Filtration in useful Beam:	2.0 mm/Al Equivalent at 70kV
Selectable mA:	3mA / 6mA
Source to Skin Distance (SSD):	Standard Cone: 8" Optional Long Cone: 12"
Additional Options:	Pass-Thru Plate for 4x4 stud mounting Coiled Wire Remote Switch Long 12" Cone Bel-Link Wireless

Dimensions: Wall Mount



Maximum Reach:	84-1/8" with 40.0" arm	64-1/8" with 20.0" arm
	75-5/8" with 31.5" arm	