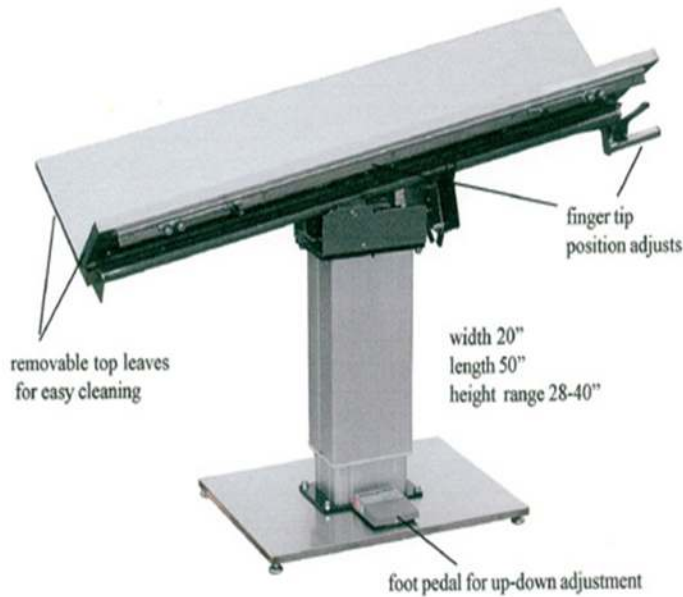


V-Top Surgery Table

With Electric Height Adjustment



Features

- ✓ 3 year warranty
- ✓ Raises and lowers electrically with foot pedal
- ✓ Uses rechargeable battery to eliminate cords on the floor
- ✓ Especially designed to be convenient for sit-down surgery as well as stand-up
- ✓ 4 quick-release restraints are attached to underside of table and can be easily positioned and locked
- ✓ Heater with digital temperature readout

Specifications

- ✓ width 20"
length 50"
height range 28-40"
- ✓ Tilts 0- 30 deg. end to end and 0 - 90 deg. "V" - both with fingertip lever control

Dental Focus™, LLC

P.O. Box 454

Neshanic Station, NJ

08853

Email: jmerritt@dentalfocus.biz

Sales info call: **908-968-3553**